

MS-R

Anchor-type measuring systems (316L stainless steel).

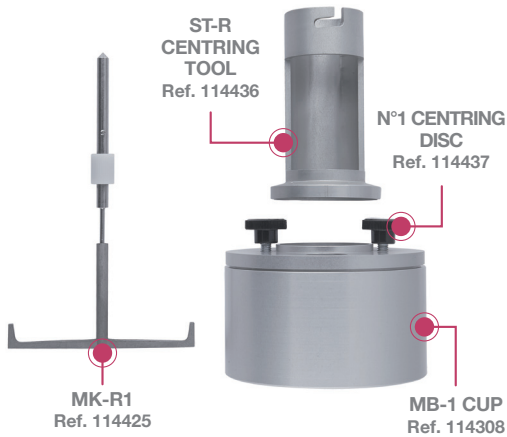
These systems are ideally suited for measuring viscosity (value or curve) in the control or development of heterogeneous products, or having the appearance of soft solid at rest, present in cosmetics, paint, food or mineral chemistry industries. Used with their respective buckets, they allow to apply a shear rate.

These systems are compatible with RM 100 PLUS, RM 200 PLUS and DSR 500.

These systems are compatible with our EVA DIN-MS-R PLUS and EVA MS-R PLUS temperature controls.

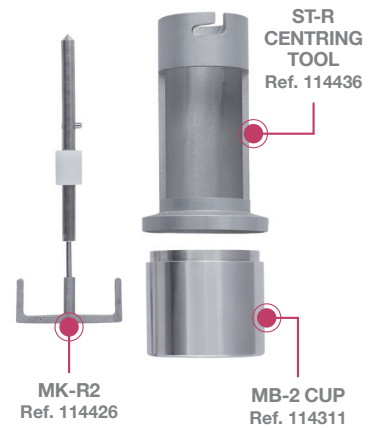
MS-R 1 measuring system

Ref. 114500



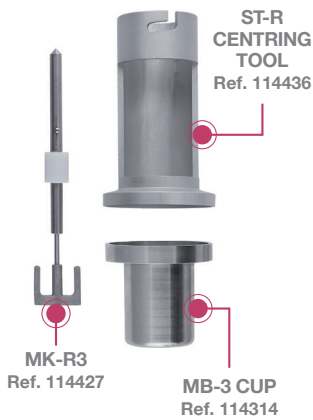
MS-R2 measuring system

Ref. 114501



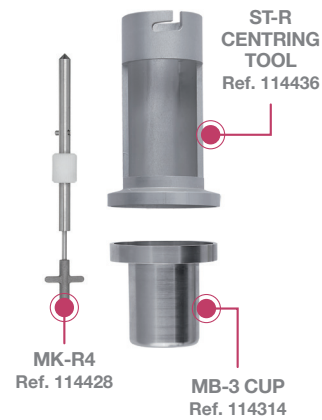
MS-R3 measuring system

Ref. 114502



MS-R4 measuring system

Ref. 114503



MEASURING SYSTEMS WITH BAYONETTE COUPLING

System Designation	System Reference	Complete set****		Diameter (mm)		Product Volume (ml)	Shear rate range for RM100-200-DSR500 (s-1)	Viscosity range for RM100-200 (mPa.s)
				inner	outer			
MS-R1***	114500*	111949	111950	93	98	300	200 rpm	1 to 40 UD
MS-R2	114501*			46	54	70	0.105 to 525	12 to 3.6M
MS-R3	114502*			23	36	25	0.09 to 450	72 to 21.6M
MS-R4	114503*			20	36	25	0.075 to 375	400 to 120M
MK-R5	114429**			5			0.03 to 150	1.5K to 475M

M for millions, K for thousand. / * Complete system (bob+cup+centring tool). / ** Only spindle. Can be use with cup MB2 (Ref. 114311) and MB3 (Ref. 114314). / *** Can be used only at 200 rpm and UD result. / **** Complete set in case with cup and centring tool. / All data given in this table are given for information and can be changed according container used for measurement.

Tel : +33 (0)4 78 08 54 06
 Fax : +33 (0)4 78 08 69 44
 contact@lamyrheology.com

11 A, rue des Aulnes
 69410 Champagne au Mont d'Or
 France



www.lamyrheology.com